



Rua Ricardo Landmann,642 89.218-200 Santo Antonio Joinville Brasil

**SPARE PARTS CATALOGUE
ERSATZTEILKATALOG
CATALOGUE PIECES DETACHEES
CATALOGO PARTI RICAMBIO
CATALOGO DE PIEZAS DE RECAMBIO
CATALOGO PECAS, DE REPOSICAO**

Catalogo parti di ricambio valido
dalla matricola 3183142 ad oggi (03/05/2024)

Catalogue pieces detachees
du numero de Série n. 3183142 jusqu'à aujourd'hui (03/05/2024)

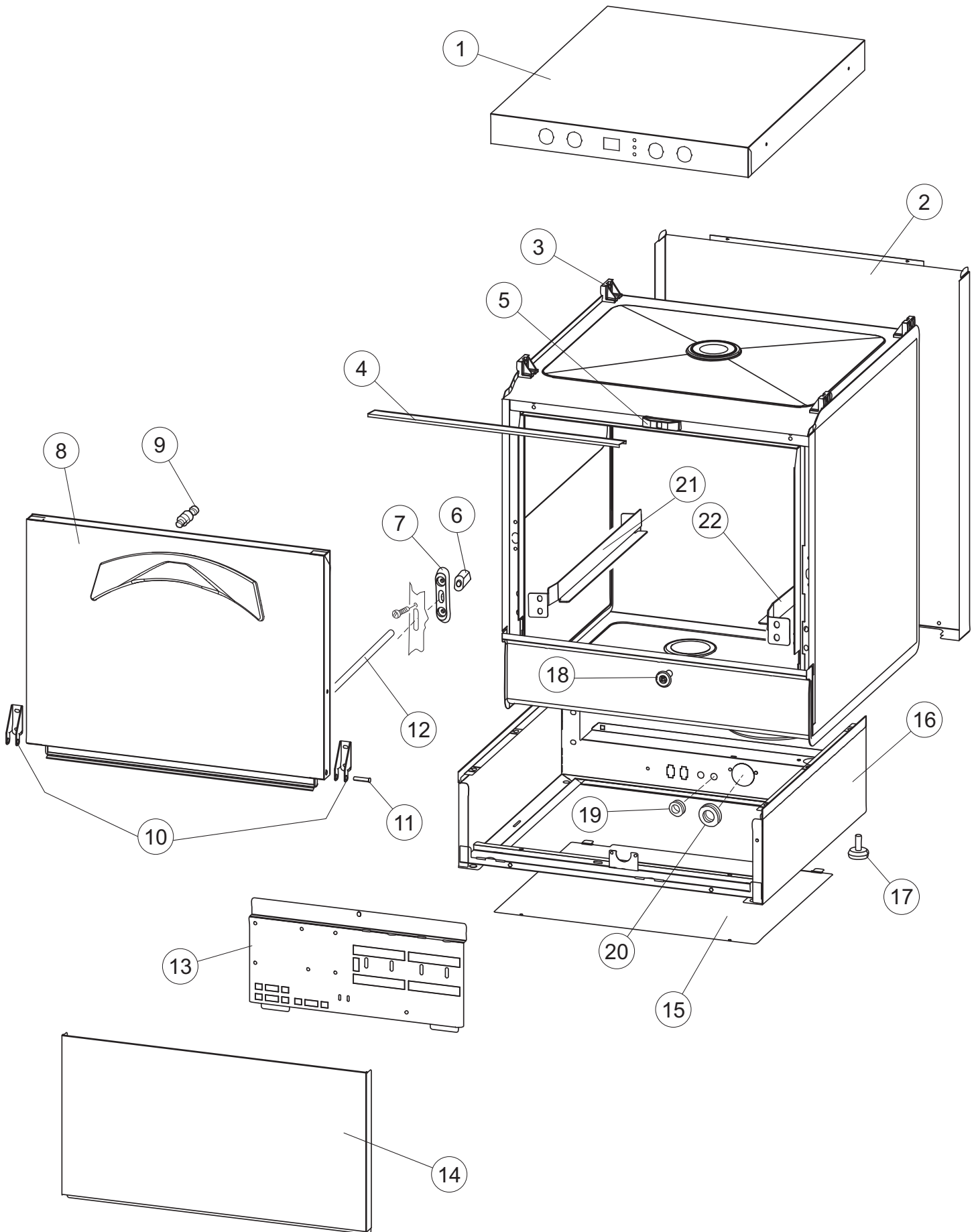
Ersatzteilkatalog
gültig ab Serien-Nr. 3183142 bis heute (03/05/2024)

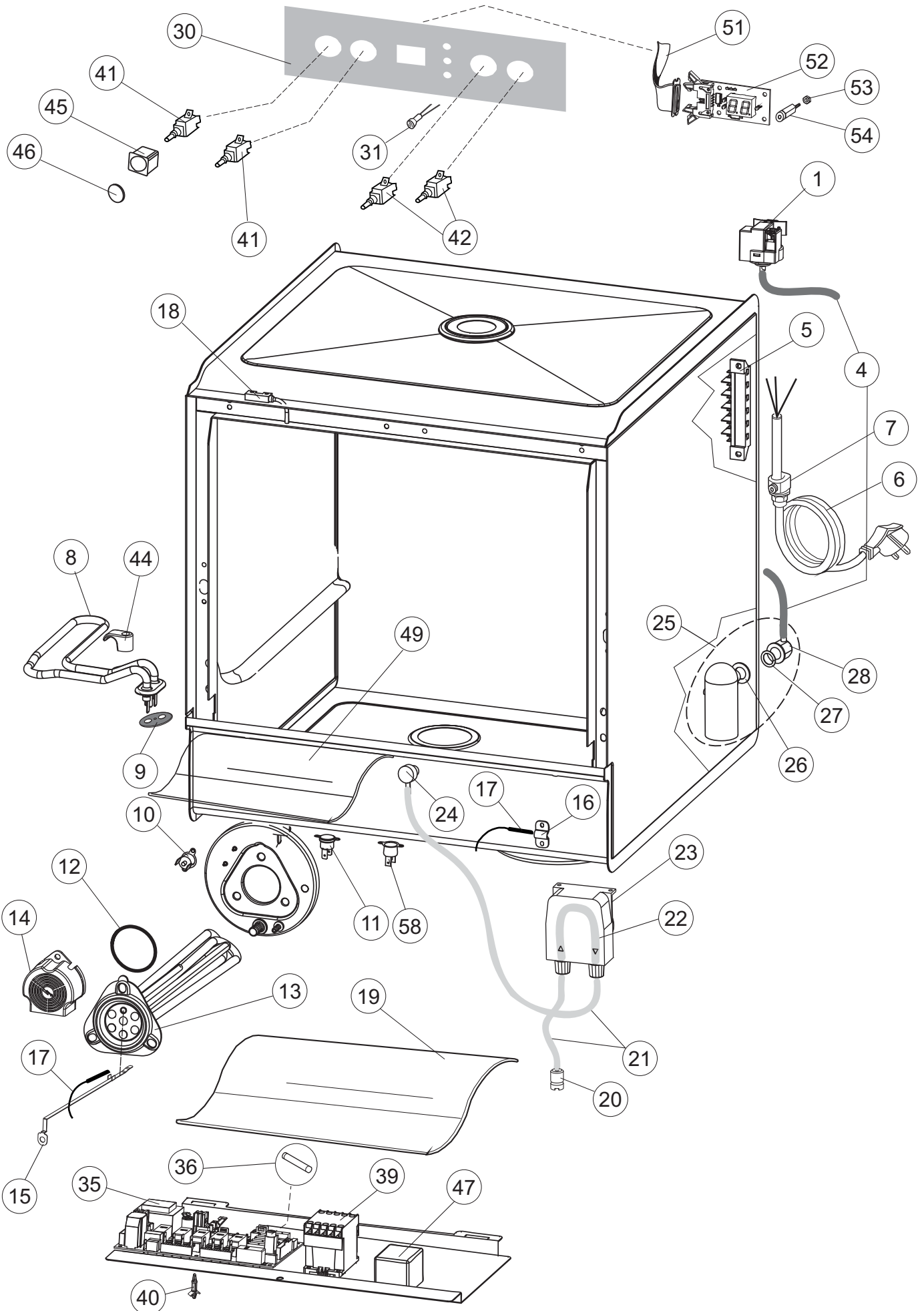
Spare parts catalogue
valid from serial no. 3183142 up today (03/05/2024)

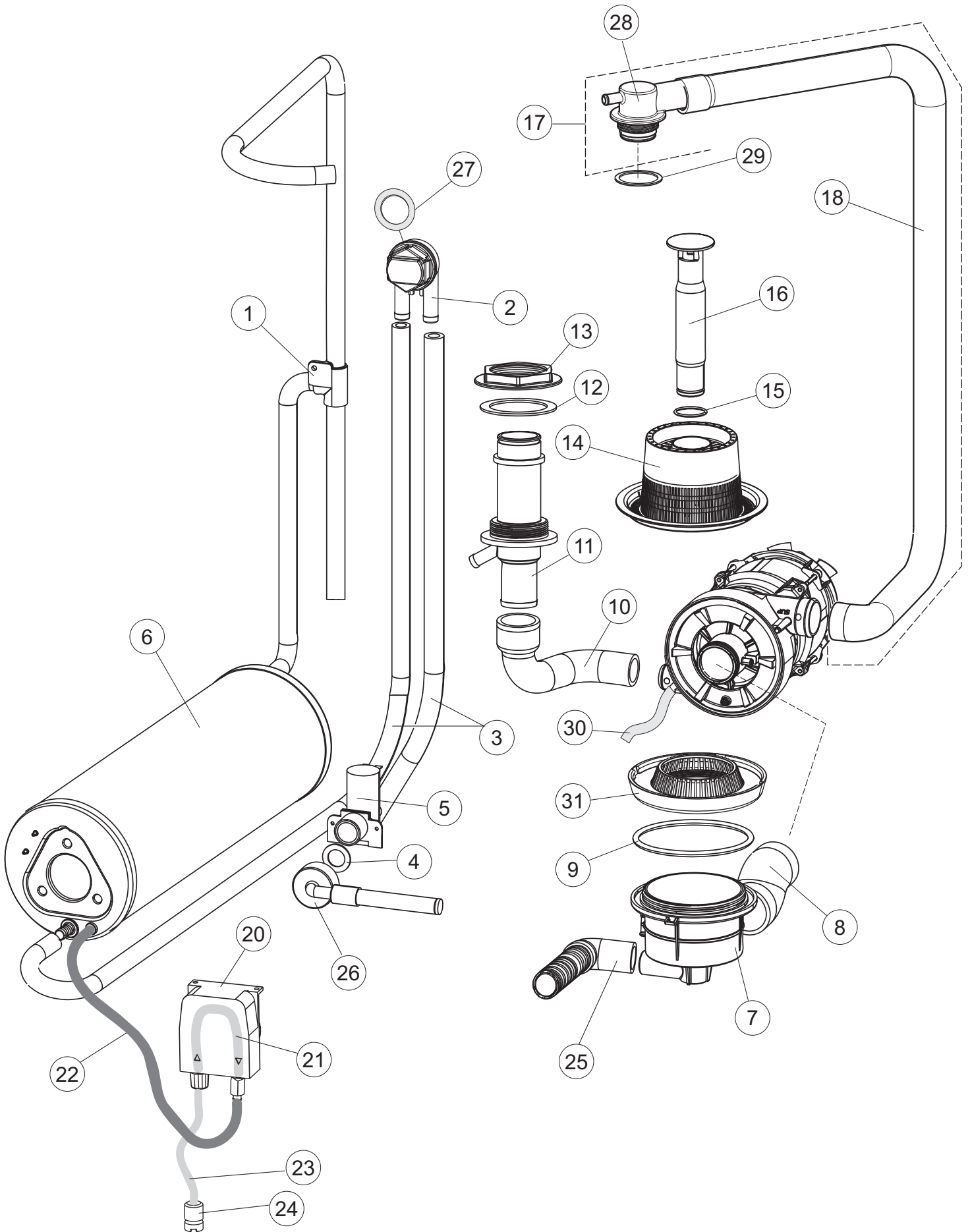
Catálogo de peças de reposição
válido do número de série 3183142 até hoje (03/05/2024)

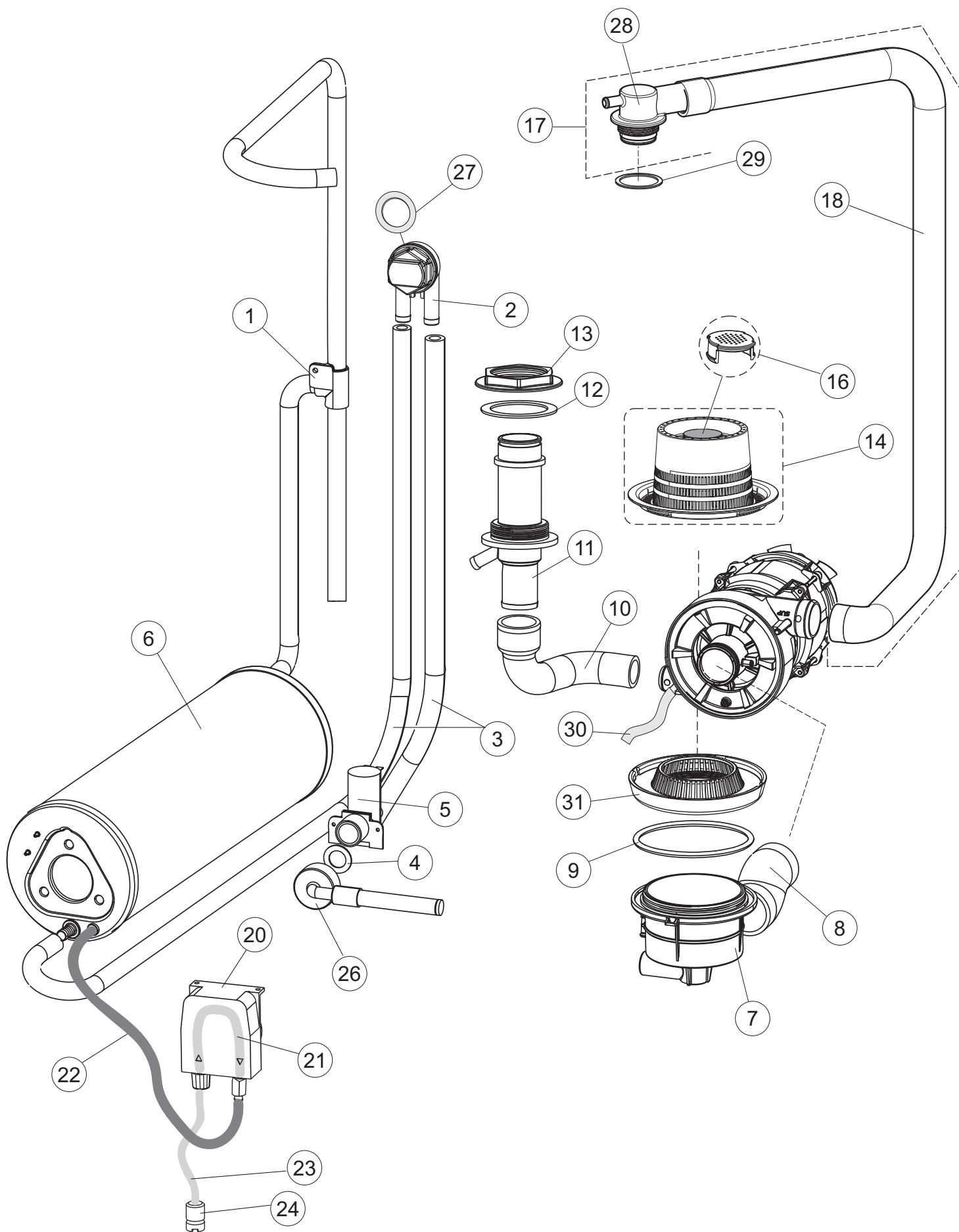
D 500M

1



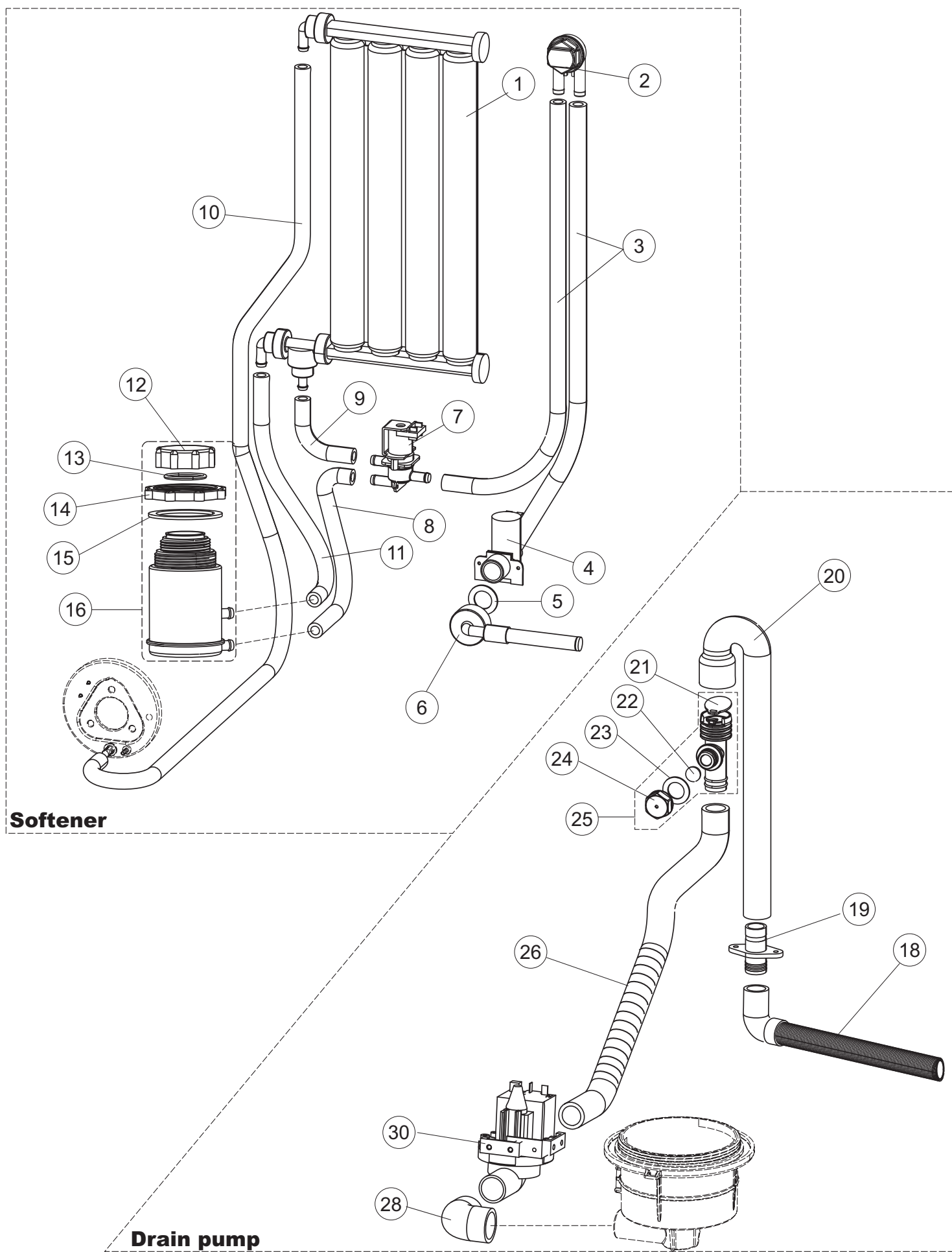




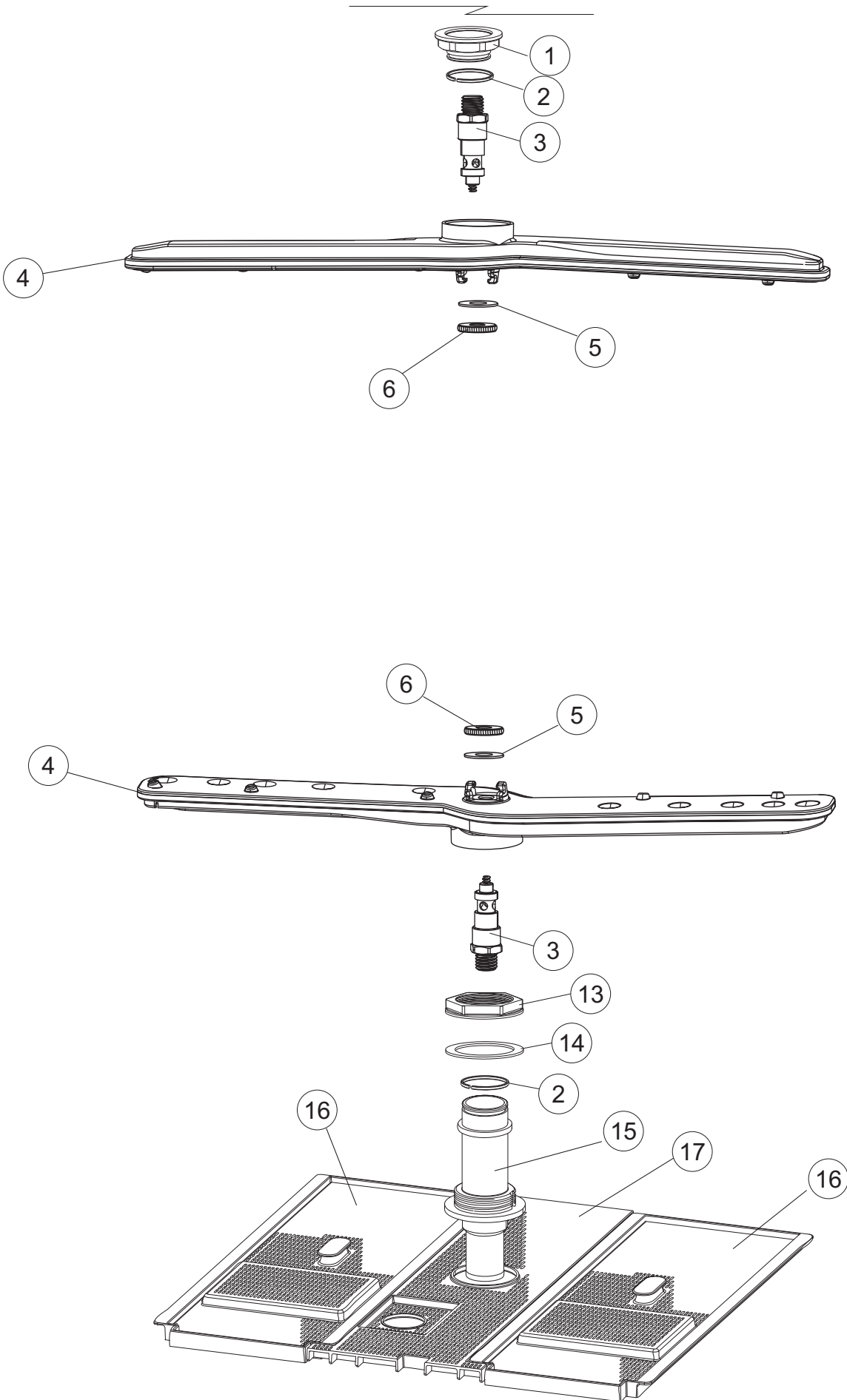


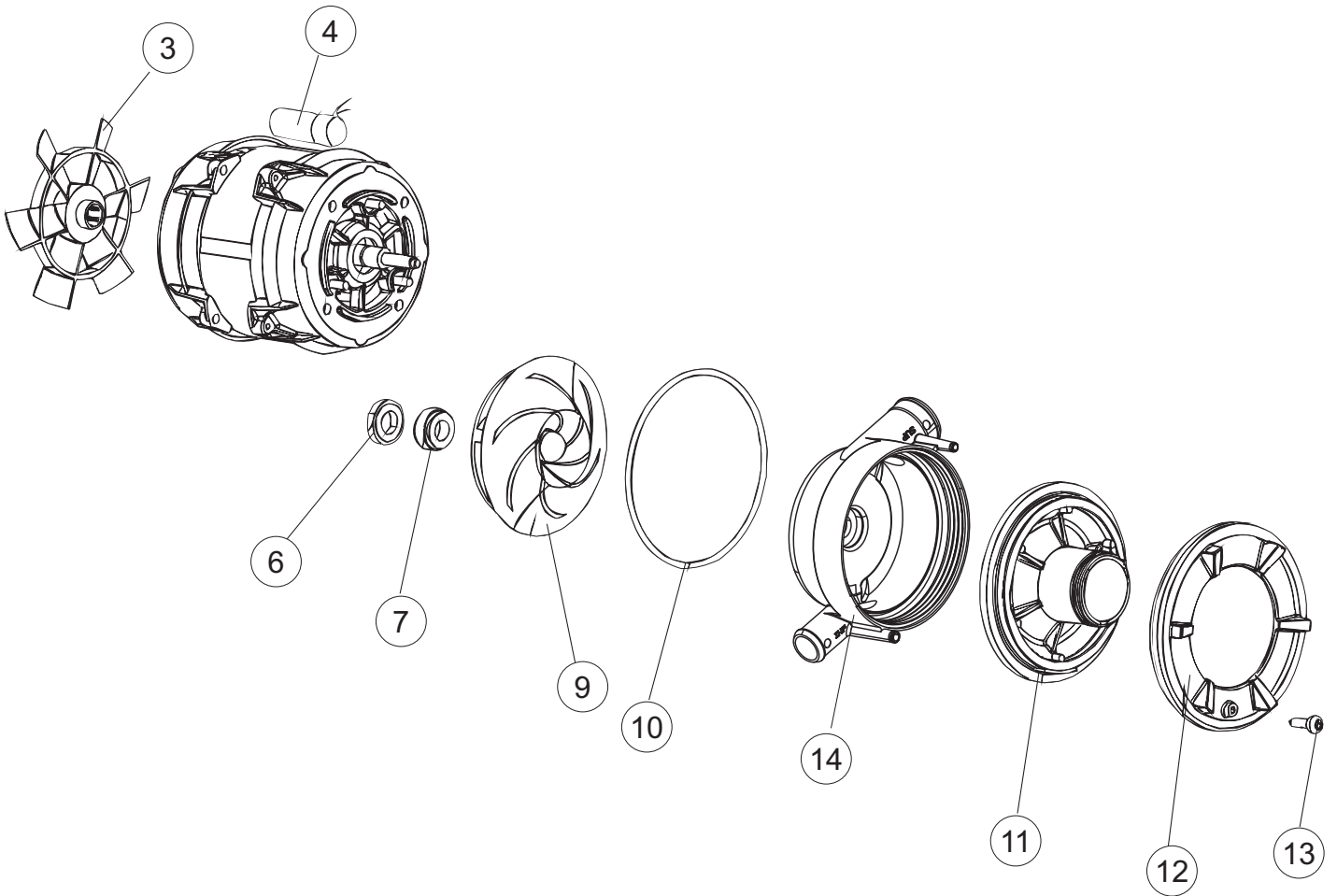
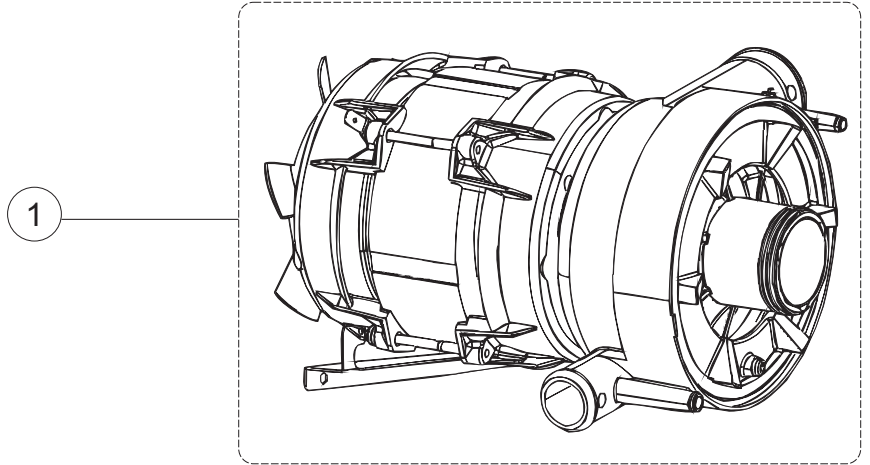
Drain Pump

D 500M



6





(*) Recommended spare part.

Page	Spare part position	Spare part code no.	Old code number	Description	U.m.	Price euro
1	1	004343		COVER	NR	125,22
1	2	022159		BACK PANEL	NR	58,92
1	3	035113		SUPPORT BRACKET	NR	1,11
1	4	437081		DOOR GASKET 50/505	NR	12,48
1	5	994012		DOOR LOCK FOR DISHWASHERS	NR	30,32
1	6	417041		DOOR CLOSING CONTACT BETA 50 (S6198)	NR	4,79
1	7	307003		NUT OF TOP DOOR-STOP BAR	NR	6,88
1	8	029718		DOOR	NR	275,80
1	9	325066		DOOR CLOSURE STAKE FOR GLASSWASHERS	NR	5,49
1	10	311019		DOOR HINGE D18/G25 (S6662)	NR	7,89
1	11	325036		PIVOT	NR	6,18
1	12	304021		DOOR TIE ROD FOR DISHWASHER (S6323)	NR	10,75
1	13	035112		WIRING PANEL	NR	29,48
1	14	012338		FRONT PANEL	NR	52,56
1	15	030195		UNDERPROTECTION FOR BASIS OF GLASS- WASHER	NR	23,47
1	16	040123		BASE FRAME LA500	NR	151,33
1	17	461019		HEXAGONAL FOOT ADJUSTABLE FOR DISHWASHER	NR	3,21
1	18	480153		PLUG	NR	1,15
1	19	459006		CHOCK D INT 9 EST 16	NR	0,73
1	20	459004		DRAIN PUMP CHOCK	NR	3,13
1	21	015064		RACK SLIDE SX.	NR	12,84
1	22	015063		RACK SLIDE DX.	NR	14,66
2	1	224031		PRESSURE SWITCH	NR	47,29
2	4	143235		PIPE	MT	11,42
2	5	220011		TERMINAL BLOCK	NR	13,27
2	6	299040		PLUG SCHUCKO 90- CABLE 1=2,5 MT	NR	32,57
2	7	459005		CABLE-RETAINER	NR	14,66
2	8	74169		HEATING ELEMENT 2100W 230V	NR	59,10
2	9	437086		PACKING OF THE TANK RESISTANCE	NR	6,85
2	10	236047		SAFETY TANK THERMOSTAT 95C	NR	13,10
2	11	236061		THERMOSTAT 127	NR	9,92
2	12	456002		O-RING	NR	1,65

(*) Recommended spare part.

Page	Spare part position	Spare part code no.	Old code number	Description	U.m.	Price euro
2	13	230116		BOILER HEATING ELEMENT	NR	68,21
2	14	69870		BOILER HEATING ELEMENT PROTECTION	NR	5,08
2	15	69871		PROBE HOLDER	NR	14,31
2	16	028105		FIXING PLATE	NR	1,67
2	17	231016		TEMPERATURE PROBE	NR	39,93
2	18	211075		MAGNETIC HOOD MICROSWITCH	NR	16,32
2	19	214114		TRANSPARENT PROTECTION FOR ELECTRIC INSTALLATION FOR DISHWASHER	NR	10,14
2	20	121993		FILTER AID DISPENSER	NR	10,58
2	21	143194		PIPE	MT	1,41
2	22	143258		"SANTOPRENE" PIPE	NR	30,48
2	23	209043		DETERGENT DOSING PUMP	NR	92,86
2	24	999348		DETERGENT TANK FITTING	NR	26,52
2	25	984007		WATER LEVEL CONTROL	NR	7,52
2	26	437019		PACKING FOR AIR TRAP OF PRESSURE SWITCH	NR	1,65
2	27	456020		O-RING	NR	1,65
2	28	468029		AIR TRAP CONNECTION OF PRESSURE SWITCH	NR	3,02
2	30	056081		CONTROL ADHESIVE INTERFACE D500 BRASCOOK	NR	50,07
2	31	216032		LAMP	NR	3,35
2	35	215042-4		MAIN BOARD GET50.2	NR	288,88
2	36	228010		FUSE	NR	1,87
2	39	229042		CONTACTOR 230V GMC-9M/4 50/60HZ	NR	46,87
2	40	461028		FOOT BOARD SUPPORT	NR	0,74
2	41	208010		DOUBLE SWITCH	NR	9,95
2	42	226071		CYCLE PUSH-BUTTON - 2 CONTACTS	NR	11,67
2	44	999351		GROUP STOPPED TANK HEATER	NR	16,42
2	45	226128		PUSH BUTTON CASE	NR	1,45
2	46	227079		BUTTON	NR	1,40
2	47	229029		RELAY	NR	33,72
2	49	214108		PVC CURTAIN FOR ELECTRIC PROTECTION	NR	18,46
2	51	211017		FLAT CABLE	NR	23,89
2	52	74902		CONTROL KEYBOARD	NR	47,74
2	53	417119		NUT	NR	2,33

(*) Recommended spare part.

Page	Spare part position	Spare part code no.	Old code number	Description	U.m.	Price euro
2	54	419036		INTERFACE BOARD DISTANCE KEEPERS	NR	1,24
2	58	236052		THERMOSTAT 90+/-3C	NR	13,37
3	1	143263		PIPE	NR	55,24
3	2	144030		NO RETURN VALVE	NR	30,21
3	3	143004		PIPE	MT	20,38
3	4	437041		GASKET	NR	1,98
3	5	240011		FILL VALVE	NR	18,52
3	6	104060		BOILER	NR	165,02
3	7	136030		ASPIRATION AND DRAIN BODY	NR	11,46
3	8	127082		DELIVERY WASH HOSE	NR	20,34
3	9	456076		O-RING	NR	4,15
3	10	127085		DELIVERY WASH HOSE	NR	28,13
3	11	69016		MAINFOLD	NR	17,09
3	12	437102		GASKET	NR	2,79
3	13	429073		RING NUT	NR	10,15
3	14	121120		STAINER	NR	16,93
3	15	456081		O-RING	NR	2,19
3	16	142058		OVERFLOW PIPE	NR	13,77
3	17	115150		MAINFOLD	NR	60,46
3	18	127133		DELIVERY WASH HOSE	NR	71,38
3	20	209042		DOSING PUMP	NR	92,86
3	21	143261		HOSE	NR	38,46
3	22	143005		LINEN RUBBER PIPE 5X12 - BLACK	MT	15,90
3	23	143291		PIPE	MT	2,88
3	24	121993		FILTER AID DISPENSER	NR	10,58
3	25	143252		DRAIN HOSE	NR	23,75
3	26	143270		INLET WRAS PIPE	NR	9,25
3	27	437080		GASKET	NR	2,14
3	28	115164		SUPPORT ARMS WASH / RINSE	NR	17,00
3	29	437113		GASKET	NR	1,87
3	30	H.165168		PIPE	MT	4,03
3	31	429072		RING NUT	NR	11,73

(*) Recommended spare part.

Page	Spare part position	Spare part code no.	Old code number	Description	U.m.	Price euro
4	1	143263		PIPE	NR	55,24
4	2	144030		NO RETURN VALVE	NR	30,21
4	3	143004		PIPE	MT	20,38
4	4	437041		GASKET	NR	1,98
4	5	240011		FILL VALVE	NR	18,52
4	6	104060		BOILER	NR	165,02
4	7	136030		ASPIRATION AND DRAIN BODY	NR	11,46
4	8	127082		DELIVERY WASH HOSE	NR	20,34
4	9	456076		O-RING	NR	4,15
4	10	127085		DELIVERY WASH HOSE	NR	28,13
4	11	69016		MAINFOLD	NR	17,09
4	12	437102		GASKET	NR	2,79
4	13	429073		RING NUT	NR	10,15
4	14	121135		SUCTION FILTER UNIT	NR	25,59
4	16	480162		PLUG	NR	3,53
4	17	115150		MAINFOLD	NR	60,46
4	18	127133		DELIVERY WASH HOSE	NR	71,38
4	20	209042		DOSING PUMP	NR	92,86
4	21	143261		HOSE	NR	38,46
4	22	143005		LINEN RUBBER PIPE 5X12 - BLACK	MT	15,90
4	23	143291		PIPE	MT	2,88
4	24	121993		FILTER AID DISPENSER	NR	10,58
4	26	143270		INLET WRAS PIPE	NR	9,25
4	27	437080		GASKET	NR	2,14
4	28	115164		SUPPORT ARMS WASH / RINSE	NR	17,00
4	29	437113		GASKET	NR	1,87
4	30	H.165168		PIPE	MT	4,03
4	31	429072		RING NUT	NR	11,73
5	1	117009		WATER SOFTNER	NR	94,80
5	2	144030		NO RETURN VALVE	NR	30,21
5	3	143004		PIPE	MT	20,38
5	4	240016		SOLENOID VALVE	NR	24,19

(*) Recommended spare part.

Page	Spare part position	Spare part code no.	Old code number	Description	U.m.	Price euro
5	5	437041		GASKET	NR	1,98
5	6	143270		INLET WRAS PIPE	NR	9,25
5	7	999288		SOLENOID VALVE	NR	61,53
5	8	127138		SLEEVE	NR	8,81
5	9	127140		SLEEVE	NR	9,25
5	10	127137		SLEEVE	NR	25,90
5	11	127139		SLEEVE	NR	8,81
5	12	480005		SALT CONTAINER SCREW CAP	NR	10,83
5	13	456052		O-RING	NR	1,65
5	14	429011		RING NUT	NR	9,42
5	15	437034		GASKET	NR	6,92
5	16	406998		SALT CONTAINER UNIT	NR	38,46
5	18	143137		DRAIN HOSE	NR	23,75
5	19	468152		DRAIN CONNECTION FOR DISHWASHERS SERIE	NR	5,46
5	20	127136		SLEEVE	NR	22,66
5	21	499092		DIAPHRAGM VALVE VENT	NR	3,00
5	22	476008		SPHERE	NR	2,49
5	23	437083		GASKET	NR	0,84
5	24	468199		PIPE FITTING	NR	8,51
5	25	144992		NO RETURN VALVE	NR	21,14
5	26	127158		SLEEVE	NR	7,90
5	28	127134		SUCTION PIPE	NR	9,92
5	30	999365		DRAIN PUMP KIT 220/240-60HZ	NR	44,93
6	1	429079		RING NUT	NR	4,20
6	2	303040		RING	NR	5,33
6	3	325133		PIVOT	NR	28,46
6	4	990177		RINSE AND WASH ARM	NR	36,05
6	5	437117		WASHER	NR	0,58
6	6	454006		RING NUT	NR	5,95
6	13	429073		RING NUT	NR	10,15
6	14	437102		GASKET	NR	2,79
6	15	69016		MAINFOLD	NR	17,09

(*) Recommended spare part.

Page	Spare part position	Spare part code no.	Old code number	Description	U.m.	Price euro
6	16	121139		STAINER	NR	32,87
6	17	121145		STAINER	NR	12,92
7	1	130976		WASH-BODY UNIT AND PUMP (130185)LA500 60HZ	NR	289,93
7	3	335015		WASPUMP FUN	NR	17,51
7	4	206015		CAPACITOR	NR	9,26
7	6	141008		WASPUMP SHAFT SEAL	NR	13,04
7	7	141009		WASPUMP SHAFT SEAL	NR	13,04
7	9	124060		ELECTROPUMP IMPELLER	NR	54,85
7	10	456078		O-RING	NR	7,06
7	11	480159		PLUG	NR	20,66
7	12	429074		RING NUT	NR	22,89
7	13	486242		SCREW	NR	0,26
7	14	116032		ELECTROPUMP HOUSING	NR	38,53